

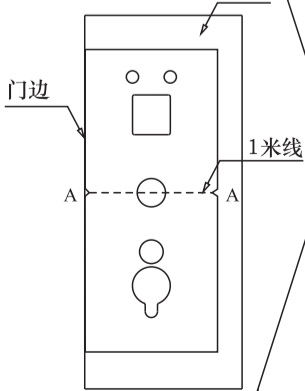
### 门锁开孔操作步骤:

#### 步骤一:

将开孔模板上的模板①、②、③和操作步骤分开4板块; 门

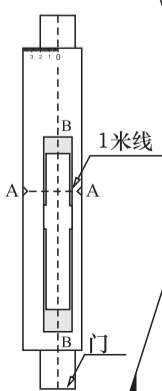
#### 步骤二: (锁面板开孔)

- (1) 在门上画一条离地1米(或把手的适当高度)的水平线;
- (2) 模板②与门面贴紧,对齐门边;然后将模板中的A-A线与门上所画的1米线对齐;
- (3) 按模板②中的开孔所示,用笔在门上标识好位置及大小。



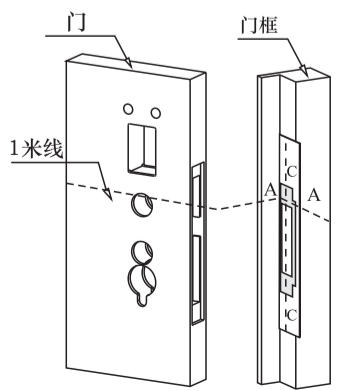
#### 步骤三: (锁体开孔)

- (1) 根据门厚画一条中心线;
- (2) 模板①中的刻度“0”与所画中心线对齐,再将模板①中的A-A线与在门上所画的1米线对齐;
- (3) 开孔步骤:
  1. 在门标记好中间挖空处的大小及位置,该区域开孔深度:M001锁体为116mm(M002锁体为106mm);
  2. 再对上模板,通过4个辅助方形孔标出黑色斜纹区域的大小及位置,该区域开孔深度为5.5mm。

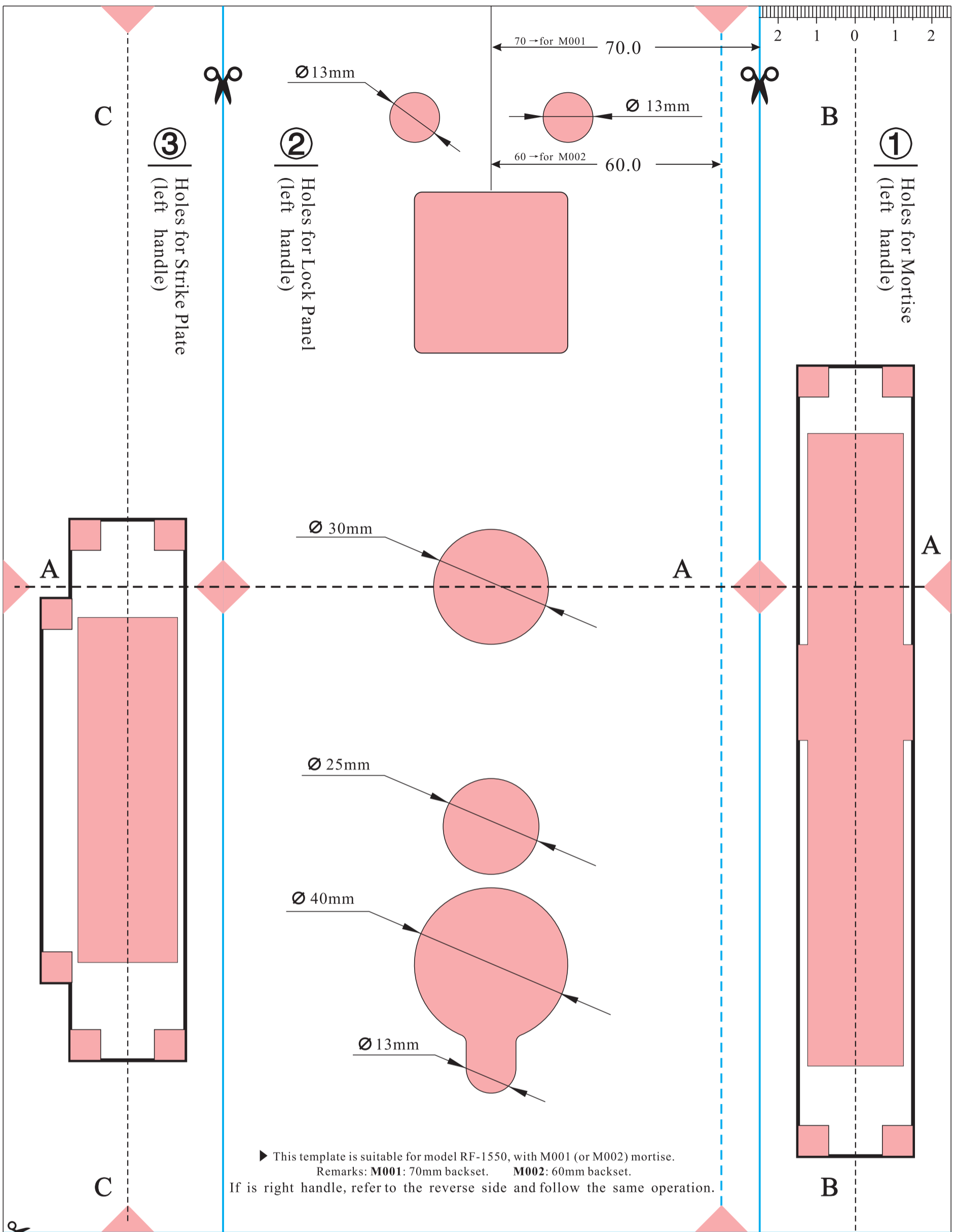


#### 步骤四: (扣板开孔)

- (1) 开好门孔后,将门关上;在门框上也标出一条离地的1米线,再根据门框厚度画出一条中心线;
- (2) 模板③中的C-C线与门框厚度中心线对齐,再用模板的A-A线与所画1米线对齐;
- (3) 开孔步骤:
  1. 模板对齐后,先在门标出中间挖空处的大小及位置,该区域开孔深度为28mm;
  2. 再对上模板,通过6个辅助方形孔标出黑色斜纹区域的大小及位置,该区域开孔深度为3mm。



▶ 温馨提示: 1. 确定所标识孔位及大小无误后,方可开孔; 2. 如果在开门框上的扣板孔时遇到减震条,需将其厚度减去再去量度门框的厚度。



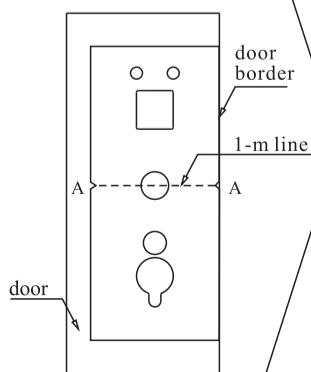
► This template is suitable for model RF-1550, with M001 (or M002) mortise.  
 Remarks: **M001**: 70mm backset. **M002**: 60mm backset.  
 If is right handle, refer to the reverse side and follow the same operation.

**Instruction:**

**Step 1:**  
 Separate Fig①, ②, ③ & instruction part along the dotted line (total 4 pcs);

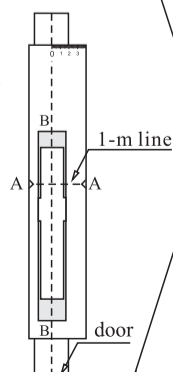
**Step 2:(holes for Lock Panel)**

(1) Draw a horizontal line on the door which is 1-m line distanced to the floor. (1-m line is only for reference, the position of this line can be adjusted according to the height of handle installed);  
 (2) Put Fig② against the door and align to door border; then align Line A-A to the line (1-m line) drawn in the 1st step;  
 (3) Draw lines according to Fig②.



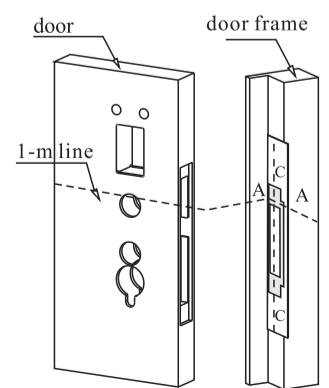
**Step 3:(holes for Mortise)**

(1) Draw a center line according to door thickness;  
 (2) Find scale number "0" in Fig①, align the "0" line to the center line drawn in the 1st step, and Line A-A to the 1-m line);  
 (3) Making holes:  
 a. Mark the size & position of the middle hole, make its depth as 116mm for M001 mortise (while 106mm for M002 mortise);  
 b. Find 4 holes on each edge on template, put the template back to locate the grey area, and make its depth as 5.5 mm.



**Step 4:(holes for Strike Plate)**

(1) After making holes on door, close the door and draw a horizontal 1-m line again on door frame, then draw another center line according to thickness of door frame;  
 (2) Align Line C-C on Fig③ to the center line on door frame, and align Line A-A on Fig③ to 1-m line on door frame;  
 (3) Making holes:  
 a. Mark the size & position of the middle hole, make its depth as 28mm;  
 b. Find 6 holes on each edge on template, put the template back to locate the grey area, and make its depth as 3 mm.



► **Remarks:**

1. Position and size of the holes must be confirmed before cutting. 2. If there is shock absorption bar on door frame, its thickness should be excluded from door thickness.